

WPL CLIC-CLO MICROSCREEN

TECHNICAL DATASHEET

Ideal tertiary polishing when further solids and/or Biochemical Oxygen Demand (BOD) needs to be removed. The unique design of the drum filter maximises the surface area of filtration to achieve high removal efficiency with extremely low operating costs.



KEY FEATURES:

- Fully automated system
- Integrated pumped backwash system
- Simple operation and low maintenance
- Easy installation or retrofit in to existing works
- Typical power consumption for 20 l/sec <0.3kw/hr
- Choice of Form 2 or Form 4 control panels
- Above ground installation stainless steel
- Below ground installation in a precast concrete channel

CARTRIDGE CLOTH FILTRATION SYSTEM:

The cartridge based screen cloth can be easily fitted within minutes, removing the need for time-consuming maintenance activities.

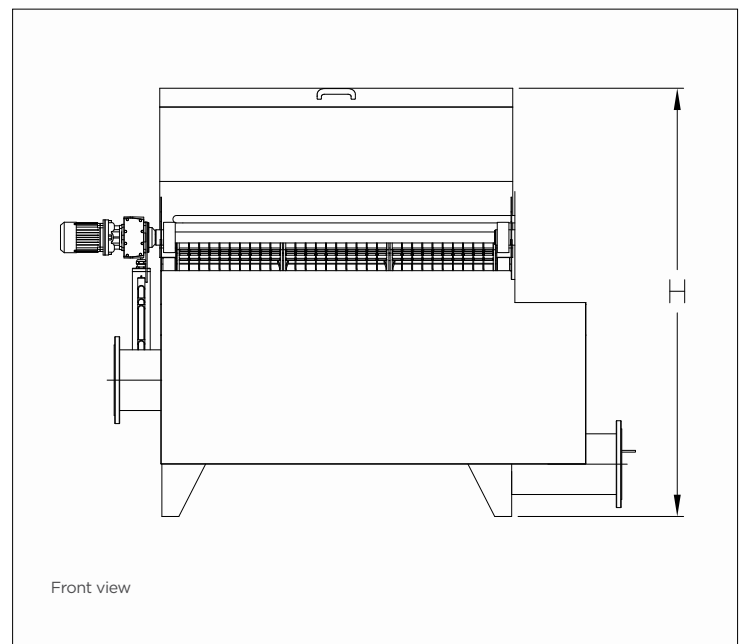
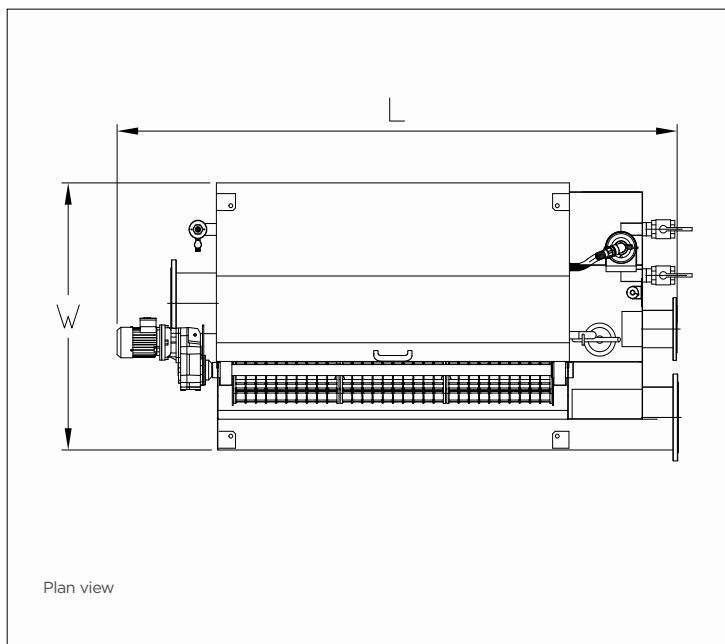
- One-size cartridge fits all models
- Easy to change on site without the need for a service call
- Polyamide or stainless steel cloths can be fitted
- From 20 microns upwards to provide flexibility on flow
- Use of backwash wastewater to clean the cloth

Model	Dimensions (mm)			Effective Filter Area	Flow rate @ 40mg/ltr with 40 micron cloth	Weight (Kg)		Inlet/Outlet (DN Flange)
	L	W	H			Empty	Operational	
1FBO	1367	1029	1321	0.420	5 l/s	250	730	DN150
2FBO	1958	1166	1420	1.100	10 l/s	280	1085	DN200
3FBO	2716	1398	1655	2.400	26.3 l/s	570	2250	DN250
4FBO	3218	1727	1775	4.200	52.5 l/s	750	3810	DN300
5FBO	3828	1746	1963	6.200	68.6 l/s	1200	7300	DN400
6FBO	4815	2145	2229	8.700	141.4 l/s	2200	15000	DN500

Table Example:

Influent max. in-flow capacity with TSS @ 40mg/ltr (95%ile)

Filter Type	Capacity of Filter (l/s) at various apertures (µM)			
	60	40	30	20
1FBO	8	5	4	2.5
2FBO	20	13	10	7
3FBO	45	30	21	14
4FBO	87	58	42	27
5FBO	105	68	52	35
6FBO	205	150	115	75



Disclaimer

WPL has a policy of continual product development and the above information may be subject to change without notice. Errors and omissions excepted. Technical drawings are indicative only. WPL is a trading name of WCS Environmental Engineering Ltd which is a portfolio company of Marlowe PLC.