

# WPL CLIC-CLO MICROSCREEN

## TECHNICAL DATASHEET

Ideal tertiary polishing when further solids and/or Biochemical Oxygen Demand (BOD) needs to be removed. The unique design of the drum filter maximises the surface area of filtration to achieve high removal efficiency with extremely low operating costs.



## KEY FEATURES:

- Fully automated system
- Integrated pumped backwash system
- Simple operation and low maintenance
- Easy installation or retrofit in to existing works
- Typical power consumption for 20 l/sec <0.3kw/hr
- Choice of Form 2 or Form 4 control panels
- Above ground installation stainless steel
- Below ground installation in a precast concrete channel

## CARTRIDGE CLOTH FILTRATION SYSTEM:

The cartridge based screen cloth can be easily fitted within minutes, removing the need for time-consuming maintenance activities.

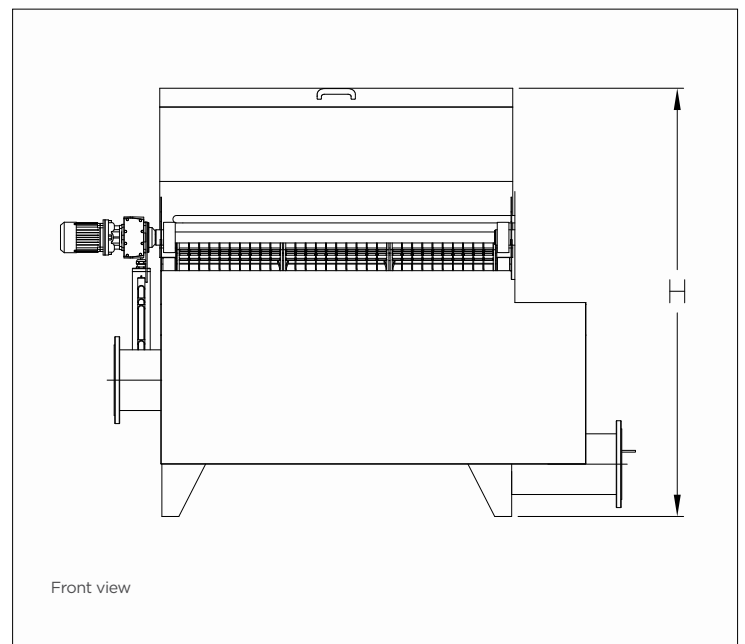
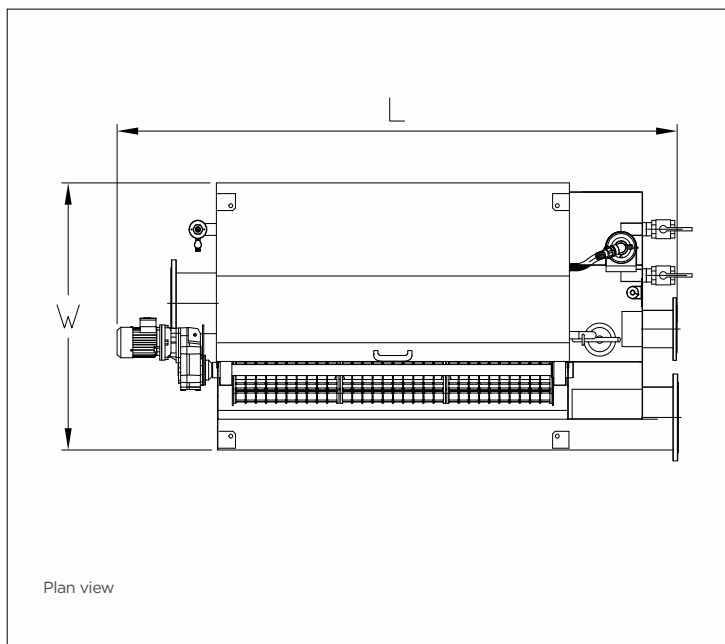
- One-size cartridge fits all models
- Easy to change on site without the need for a service call
- Polyamide or stainless steel cloths can be fitted
- From 20 microns upwards to provide flexibility on flow
- Use of backwash wastewater to clean the cloth

Model	Dimensions (mm)			Effective Filter Area (m <sup>2</sup> )	Flow with 40 micron cloth	Weight (Kg)		Inlet/Outlet (DN Flange)
	L	W	H			Empty	Operational	
<b>1FBO</b>	1241	812	1440	0,46	5 l/s	230	710	DN150
<b>2FBO</b>	1831	904	1566	1,109	13 l/s	320	1025	DN200
<b>3FBO</b>	2646	1164	1452	2,392	30 l/s	550	2230	DN250
<b>4FBO</b>	3117	1248	1545	4,160	58 l/s	750	3810	DN300
<b>5FBO</b>	3440	1670	1940	6,240	68 l/s	1160	7260	DN350
<b>6FBO</b>	4411	2145	2945	8,736	150 l/s	1950	14950	DN500

**Table Example:**

Influent max. in-flow capacity with TSS @ 40mg/l (95%ile)

Filter Type	Capacity of Filter (l/s) at various apertures (µM)			
	60	40	30	20
<b>1FBO</b>	8	5	4	2.5
<b>2FBO</b>	20	13	10	7
<b>3FBO</b>	45	30	21	14
<b>4FBO</b>	87	58	42	27
<b>5FBO</b>	105	68	52	35
<b>6FBO</b>	205	150	115	75



**Disclaimer**

WPL Limited has a policy of continual product development and the above information may be subject to change without notice. Errors and omissions excepted. Technical drawings are indicative only.