

WPL SAND FILTER

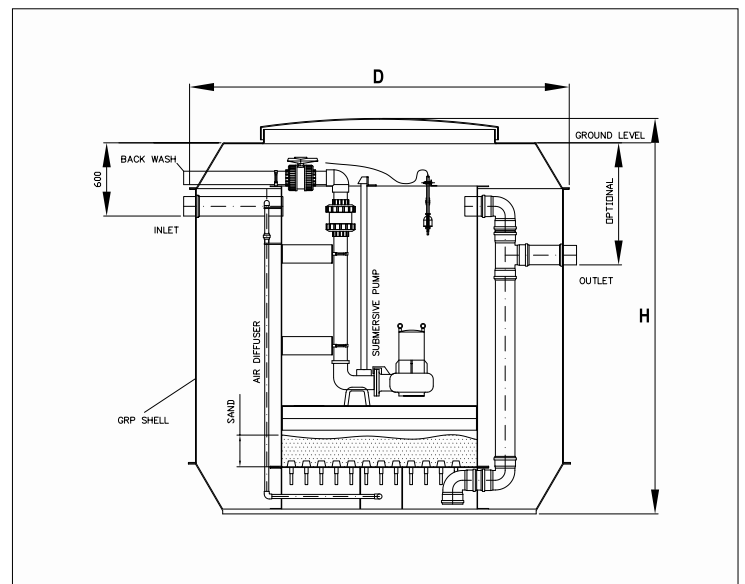
TECHNICAL DATASHEET

Designed to remove excess suspended solids (SS) and biological oxygen demand (BOD) from wastewater treatment plants. The WPL sand filter meets stringent discharge consent standards above what is normally expected from a biological process or an industry standard clarifier.



KEY FEATURES:

- **Dependent on particle size, a minimum removal of 60%SS and 40%BOD**
- **Timed backwash sequence combines air scour and backwash**
- **Influent can flow by gravity or pumped into the filter**
- **No need to inhibit inflow to filter during backwash cycle**
- **Above and below ground installations**



Model	Population Equivalent (PE)	Max. flow (m ³ /day)	Filter area (m ²)	Tank diameter "D" (m)	Tank height "H" (m)	Backwash flow required (m ³ /h)	Pumps flow (m ³ /h)	Air volume (m ³ /h) (backwash)
VSF01	93	42	0.28	1.740	3.150	10.2	18	20.4
VSF02	266	120	0.79	2.610	3.150	28.3	36	56
VSF03	400	180	1.33	2.860	3.150	47.8	42	95
VSF04	800	360	2.01	3.110	3.150	72.4	81	145

Disclaimer

WPL Limited has a policy of continual product development and the above information may be subject to change without notice. Errors and omissions excepted. Technical drawings are indicative only.