

WPL DISC FILTER

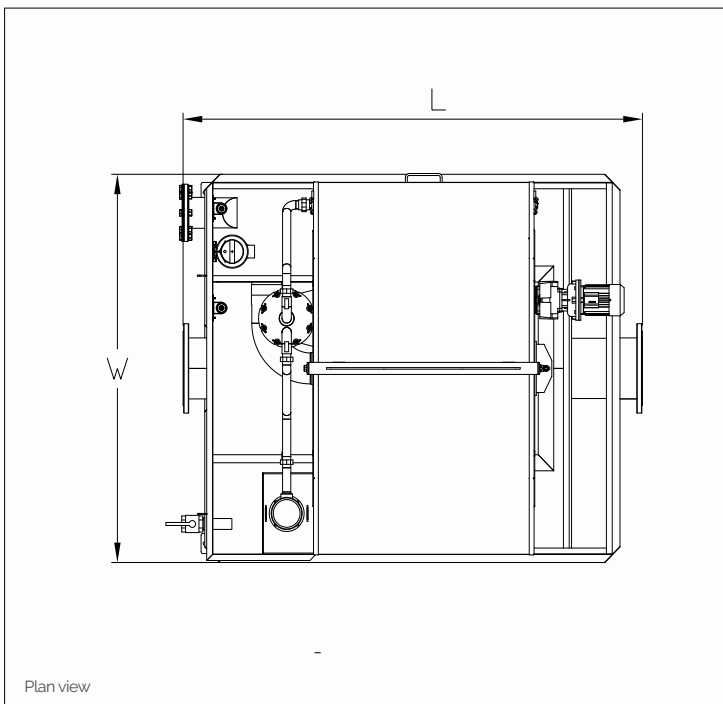
TECHNICAL DATASHEET

Designed for the filtration of large volumes of wastewater, the compact system has the capability to filter high flows (volumes) of liquids.

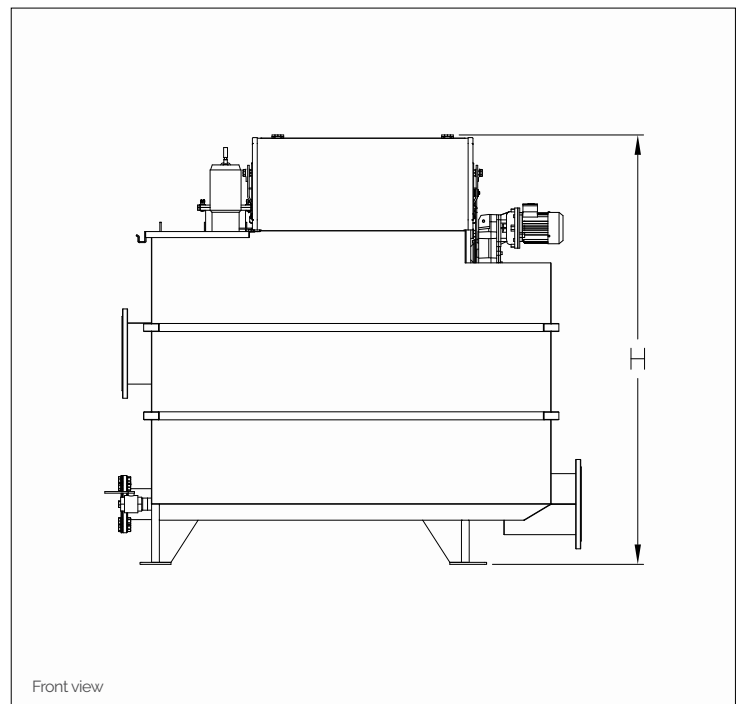


KEY FEATURES:

- Compact unit with high flows up to 500 L/s
- Gravity flows saves energy costs
- Simple removal and replacement of cartridge filters
- Fully automated operation including pre-set operational parameters
- Installed above ground in steel tanks or below ground in concrete channels
- Cartridges can be supplied to filter down to 10 microns
- The process can be used to assist with achieving Fe & P compliance
- Skid mounted option



Plan view



Front view

| Model | Dimensions (mm) | | | Max flow with 40 micron cloth | Weight (Kg) | | Inlet/Outlet (DN Flange) | Available for hire |
|---------------|-----------------|------|------|-------------------------------|-------------|-------------|--------------------------|--------------------|
| | L | W | H | | Empty | Operational | | |
| 4FDO | 2080 | 2080 | 3080 | 54 L/s | 1100 | 5100 | DN300 | ✓ |
| 6FDO | 2550 | 1850 | 3080 | 86 L/s | 1400 | 6400 | DN350 | |
| 10FDO | 3810 | 1850 | 3080 | 130 L/s | 2000 | 9000 | DN400 | |
| 16FDO | 5150 | 2080 | 3080 | 220 L/s | 3600 | 14600 | DN500 | |
| 24FDO | 6870 | 2080 | 3080 | 350 L/s | 5500 | 20800 | DN600 | |
| | | | | | | | | |
| 4FDGO | 2992 | 2700 | 2830 | 97 L/s | 1800 | 9100 | DN400 | |
| 6FDGO | 3380 | 2700 | 2830 | 146 L/s | 2500 | 1130 | DN500 | |
| 8FDGO | 3760 | 2700 | 2830 | 194 L/s | 3300 | 13500 | DN500 | ✓ |
| 10FDGO | 4140 | 2700 | 2830 | 243 L/s | 4000 | 15600 | DN600 | |
| 16FDGO | 5280 | 2700 | 2830 | 389 L/s | 6300 | 22300 | DN600 | |
| 24FDGO | 6800 | 2700 | 2830 | 583 L/s | 9300 | 31000 | DN700 | |

Disclaimer

WCS Environmental Engineering has a policy of continual product development and the above information may be subject to change without notice. Errors and omissions excepted. Technical drawings are indicative only. WCS Environmental Engineering Ltd is a portfolio company of Marlowe PLC.