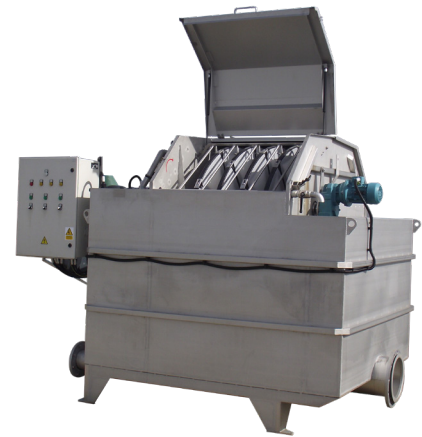


# WPL DISC FILTER

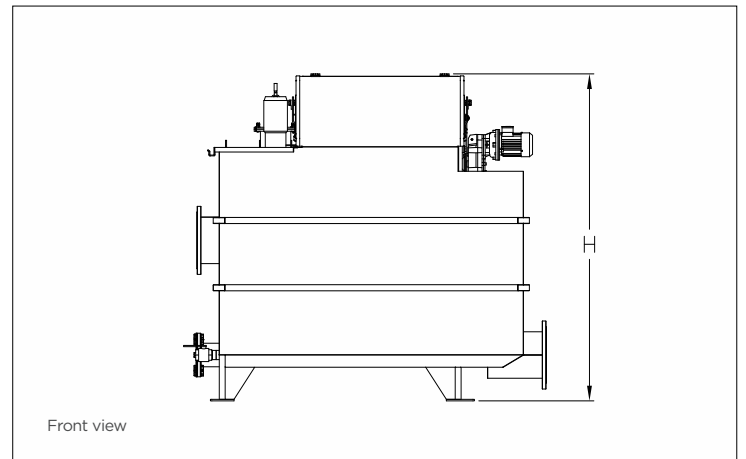
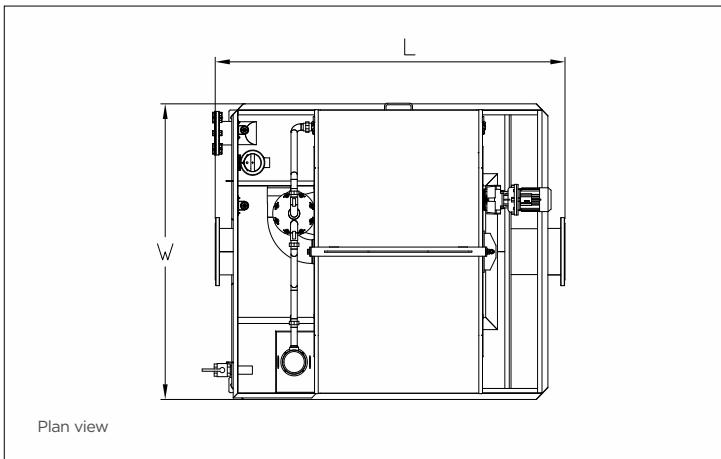
## TECHNICAL DATASHEET

Designed for the filtration of large volumes of wastewater, the compact system has the capability to filter high flows (volumes) of liquids.



### KEY FEATURES:

- Compact unit with high flows up to 500 L/s
- Gravity flows saves energy costs
- Simple removal and replacement of cartridge filters
- Fully automatic operation including pre-set operation parameters
- Installed above ground in steel tanks or below ground in concrete channels



Model	Dimensions (mm)			Flow with 40 micron cloth	Weight (Kg)		Inlet/Outlet (DN Flange)
	L	W	H		Empty	Operational	
<b>4FDO</b>	2080	2080	3080	54 l/s	1100	5100	DN300
<b>6FDO</b>	2550	1850	3080	86 l/s	1400	6400	DN350
<b>10FDO</b>	3810	1850	3080	130 l/s	2000	9000	DN400
<b>16FDO</b>	5150	2080	3080	220 l/s	3600	14600	DN500
<b>24FDO</b>	6870	2080	3080	350 l/s	5500	20800	DN600

### Disclaimer

WPL Limited has a policy of continual product development and the above information may be subject to change without notice. Errors and omissions excepted. Technical drawings are indicative only.